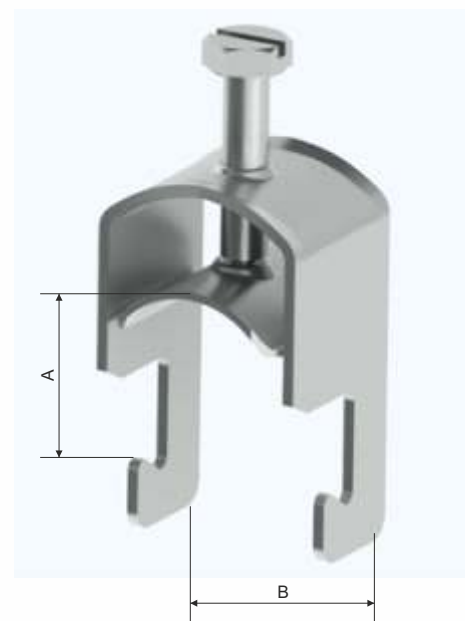


| item number       | min. diameter of cable [A] (mm) | max. diameter of cable [B] (mm) | weight kg/pc |
|-------------------|---------------------------------|---------------------------------|--------------|
| <b>PKDZ1 12_F</b> | 6                               | 12                              | 0,03         |
| <b>PKDZ1 14_F</b> | 10                              | 14                              | 0,03         |
| <b>PKDZ1 16_F</b> | 12                              | 16                              | 0,03         |
| <b>PKDZ1 18_F</b> | 14                              | 18                              | 0,04         |
| <b>PKDZ1 22_F</b> | 16                              | 22                              | 0,04         |
| <b>PKDZ1 26_F</b> | 22                              | 26                              | 0,04         |
| <b>PKDZ1 30_F</b> | 22                              | 30                              | 0,05         |
| <b>PKDZ1 34_F</b> | 28                              | 34                              | 0,06         |
| <b>PKDZ1 38_F</b> | 34                              | 38                              | 0,08         |
| <b>PKDZ1 42_F</b> | 34                              | 42                              | 0,09         |
| <b>PKDZ1 46_F</b> | 40                              | 46                              | 0,1          |
| <b>PKDZ1 50_F</b> | 46                              | 50                              | 0,11         |
| <b>PKDZ1 54_F</b> | 46                              | 54                              | 0,11         |
| <b>PKDZ1 58_F</b> | 52                              | 58                              | 0,12         |



product description: For fixing cables in DZI wire trays, not only for ascending routes

surface finish: F - Hot Dip Galvanized, average zinc-layer 55 µm (min. 45 µm)

sales amount: á 1 pc

classification: ČSN 73 0895 P 90-R  
 DIN 4102-12 E 90  
 STN 92 0205 PS 90

Fire classification is depend on the specific conditions of the cable tray, detailed in the catalog Systems with maintained functionality in fire.

storage: EN 60721-3-1